

# DATASHEET

Name:  
Type:  
Designed by:

**NIGHT BIRDS**  
Pendant Light  
Boris Klimek



## DESCRIPTION

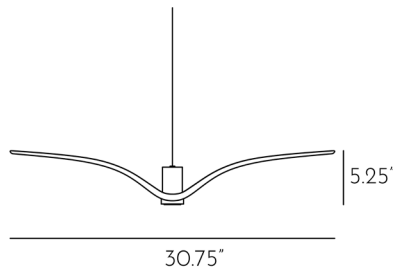
Inspired by the abandon and freedom of bird flight. Night Birds differ from the other collections in the unique technology applied in production, which involves melting glass into a mod and then bending it. The process makes it possible to instill delicate nuances in the shape of the wings and achieve a coloration of the glass that is different and wholly unique each time.

## TECH. DESCRIPTION

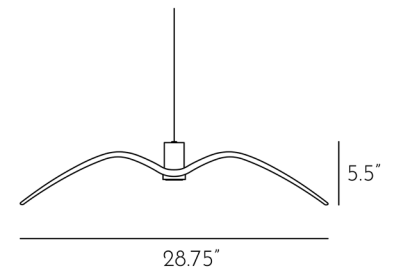
The technologies applied in the Night Birds collection are based on the principles of recycling, sustainability and eco-friendly production. The base material used in making the lights is the waste glass generated in the production of other collections. The recycled glass material is subjected to several stages of processing combining traditional and modern glassmaking techniques. The pendant is adjustable at the centre, hand-lathed aluminum body houses the GZ10 light source.



## CERTIFICATES



Product ID: PC962



Product ID: PC963

## CONSTRUCTION SPECIFICATIONS

**Weight:** 2 kg  
**Construction material:** Glass, metal  
**Cord Length:** 2,000 mm  
**Mounting:** Ceiling  
**Environment:** Indoor

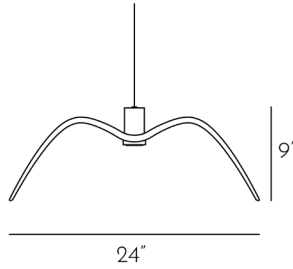
**Weight:** 2 kg  
**Construction material:** Glass, metal  
**Cord Length:** 2,000 mm  
**Mounting:** Ceiling  
**Environment:** Indoor

## ELECTRICAL SPECIFICATIONS

**Input voltage [V]:** 230 V  
**Frequency [Hz]:** 50-60 Hz  
**Max. power [W]:** 10 W  
**Coverage IP:** 20  
**Socket:** GZ10  
**Light source:** -  
**Energy class:** A+ to B depending on light source

**Input voltage [V]:** 230 V  
**Frequency [Hz]:** 50-60 Hz  
**Max. power [W]:** 10 W  
**Coverage IP:** 20  
**Socket:** GZ10  
**Light source:** -  
**Energy class:** A+ to B depending on light source





Product ID: PC964

## CONSTRUCTION SPECIFICATIONS

Weight:	2 kg
Construction material:	Glass, metal
Cord Length:	2,000 mm
Mounting:	Ceiling
Environment:	Indoor

## ELECTRICAL SPECIFICATIONS

Input voltage [V]:	230 V
Frequency [Hz]:	50-60 Hz
Max. power [W]:	10 W
Coverage IP:	20
Socket:	GZ10
Light source:	-
Energy class:	A+ to B depending on light source

---

## LED SOURCE

Socket	GU10
Type	LED
Lamp wattage [W]	5 W
Input voltage [V]	220-240 VAC
Energy class	A+
Flux [lm]	336 lm
Light colour [K]	2700K
CRI	90+
Lifespan [h]	25,000 hr
Dimmable	yes
Dimensions h x w [mm]	55 x 50 mm



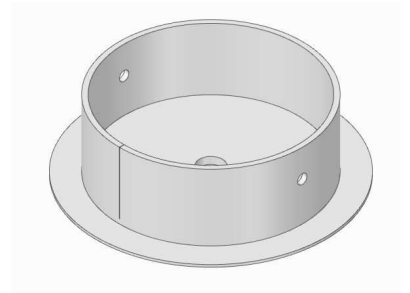
CM 3037

# CEILING CANOPY

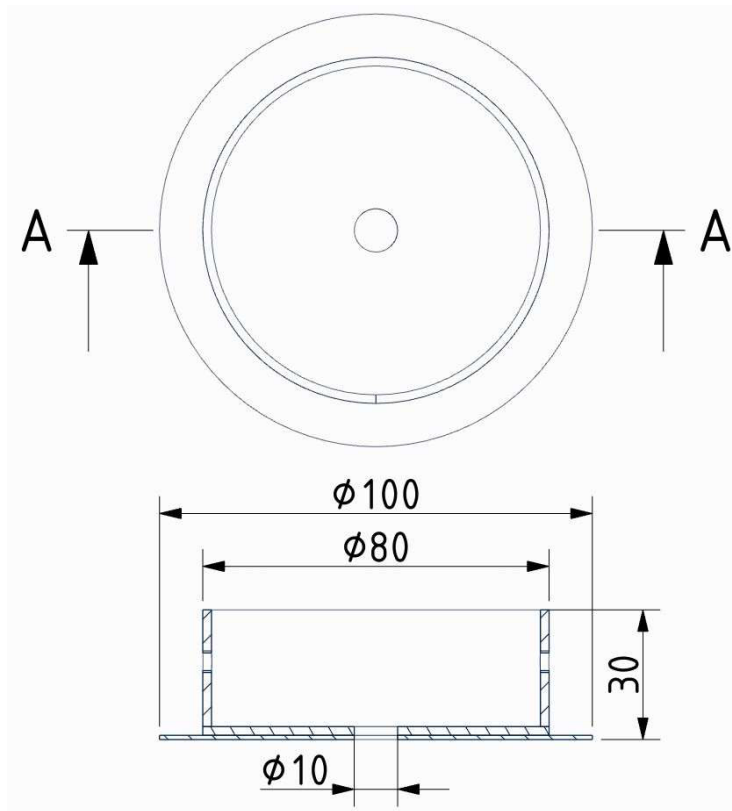
Dimensions  $\varnothing$  x w [in/mm] 4" x 1.25" / 100 x 30 mm

Weight [kg] 0.25 kg

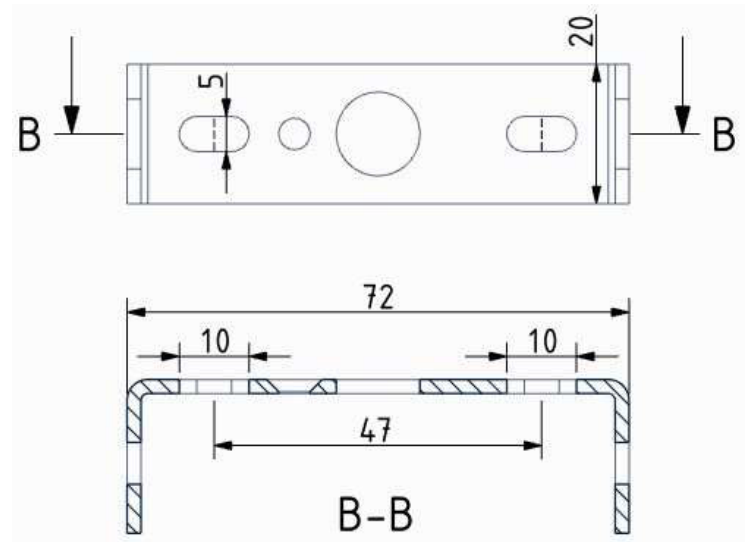
Material Metal



## Drawing



## Canopy bracket



## PRODUCT DETAILS

### Glass Colour

Opal - Opaque glass - massif	CGC772
Smoke grey - massif	CGC882
Smoke grey BROKISGLASS matte	CGC51480
Triplex opal BROKISGLASS matte	CGC1478

### Body Finish

Aluminum	CCS775
----------	--------

### Canopy Finish

Aluminum	CCSC843
----------	---------

### Cable Colour

Textile cable - black	CECL519
Textile cable - white	CECL521
Textile cable - dark grey	CECL1918
Transparent cable	CECL149

### Recommended Bulbs

230V, GU10, 5W, 2700K, 336lm, RA90, 100°, DIM	CEB825
---	--------